

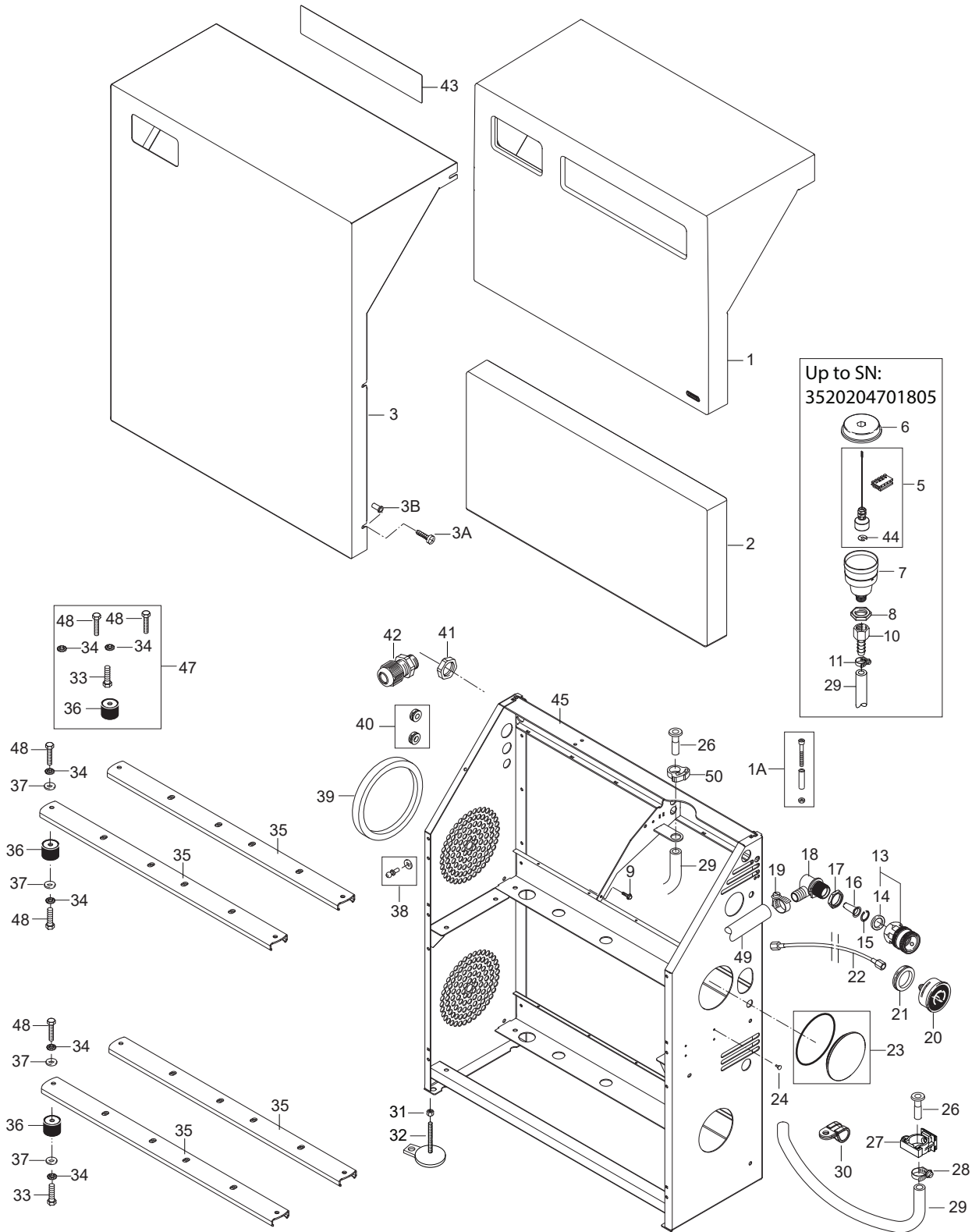
PARTS LIST



2021.01.22

TABLE OF CONTENTS

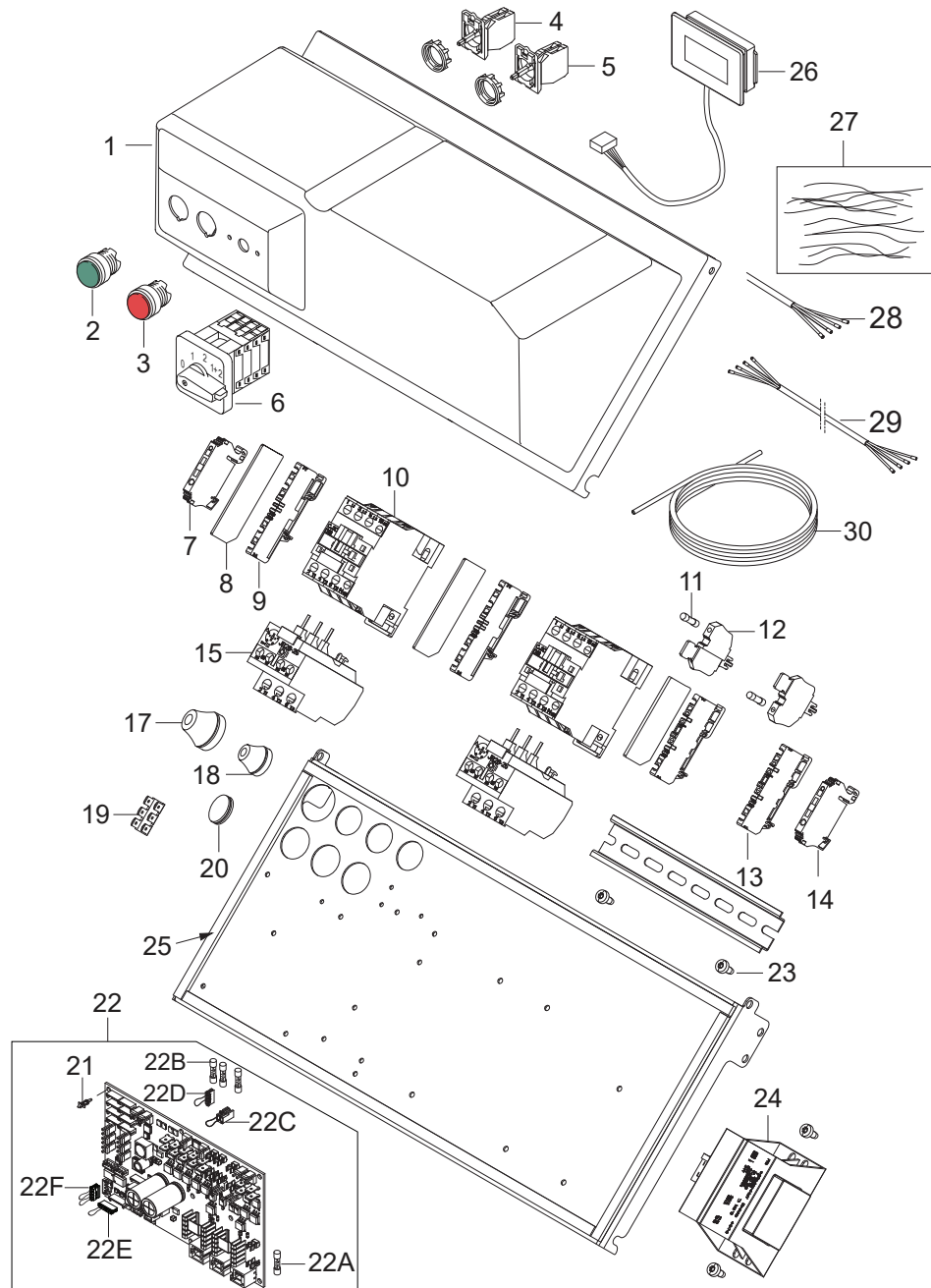
Overview	1
Electric box_DUO	3
LOWER Motor	5
LOWER unloader PA	7
Cylinder block	9
UPPER Motor	11
UPPER Unloader PA	13



Pos.	Artikel-Nr.	Menge	Variante	Notes
1	107307349	1	CABINET EPP	
1A	101118162	1	SCREW KIT FOR CABINET EPP UNO/DUO	
2	107307350	1	CABINET EPP DUO	
3	107307353	1	CABINET SS. DUO	
3A	107143307	4	SCREW M5X16 A2 ECO-FIX FORM H	
3B		4	Pop-nut M5 A2 WO/flange	
5	101118173	1	OIL SENSOR W/PLUG KIT	
6	301000615	1	Deckel	
7	301000614	1	Öltank	
8	101609356	1	Mutter	
9	106268067	4	SCREW KIT	
10	107307313	1	HOSESTUD D10X3/8	
11	1805100	1	Schlauchschelle 8-22x 8	
13	1602945	1	Kupplung kpl. 3/4	
14	3001237	1	Dichtung	
15	107141667	1	Sicherungsring	
16	101117926	1	Sieb	
17	1800341	1	Gegenmutter 3/4	
18	107141669	1	WATER INLET PIPE C3	
19	8298	1	Schlauchschelle SGL 16-27	
20	107141648	1	MANOMETER 0-300 BAR	
21	103004331	1	SLEEVE PVC 45/ 60	
22	107307316	1	MANOMETER HOSE DN2. COMPLETE	
23	101118165	2	PLUG + O-RING KIT FOR FRAME UNO/DUO	
24	107307314	1	SNAP RIVET D12/D6	
26	107307339	1	PLUG D 12.7MM PLASTIC	
27	107307338	1	PIPE CLIP D20 BR220-5 PA	
28	1805100	1	Schlauchschelle 8-22x 8	
29	5206065	3	Schlauch 1/2	
30	101117718	1	Klammer	
31	1810068	8	Mutter	
32	104601172	4	Halteblock M12X7	
33		4	Screw M8x45 A2 ISO4762	
34	1810274	16	Fächerscheibe 8,2 -J- DIN 6798 VA	
35	107307311	4	PROFIL M/P	
35	107307312	4	PROFIL M/P SS	
36	107307309	8	GUMMI METAL BUFFER D30X30	
37	1802917	16	Scheibe M8	
38	101118164	1	PINS KIT FOR CABINET EPP UNO/DUO	
39	107307310	1	SEALING FOR MOTOR	
40	101118163	1	BLANKING PLUGS KIT FOR FRAME UNO/DU	
41	909100021	1	Sechskantmutter M32 x1,5 EN 50262 PA	
42	103821837	1	Kabelbuchse M32X1.5	
43	107307362	1	FRONTLABEL SC DUO	
43	107307374	1	FRONTLABEL UNITOR HPC STATIONARY 2P	
44	107142593	1	HOLDING WASHER PE	
45	107307377	1	FRAME PAINTED SC DUO 6P/7P	
46	107307366	1	PLATE FOR MPU NA6	[1]
47	101118289	8	RUBBER MET. BUFFER D40X30 KIT SC UNO/DUO	[2]
48	1802909	14	Schraube M8X16 DIN 933	
49	107307337	1	HOSE 3/4INCH GREY MULTIFLEX AIR 20	
50	107306462	1	HOSE SNAP CLIP Ø20-Ø22MM	

Part Notes:

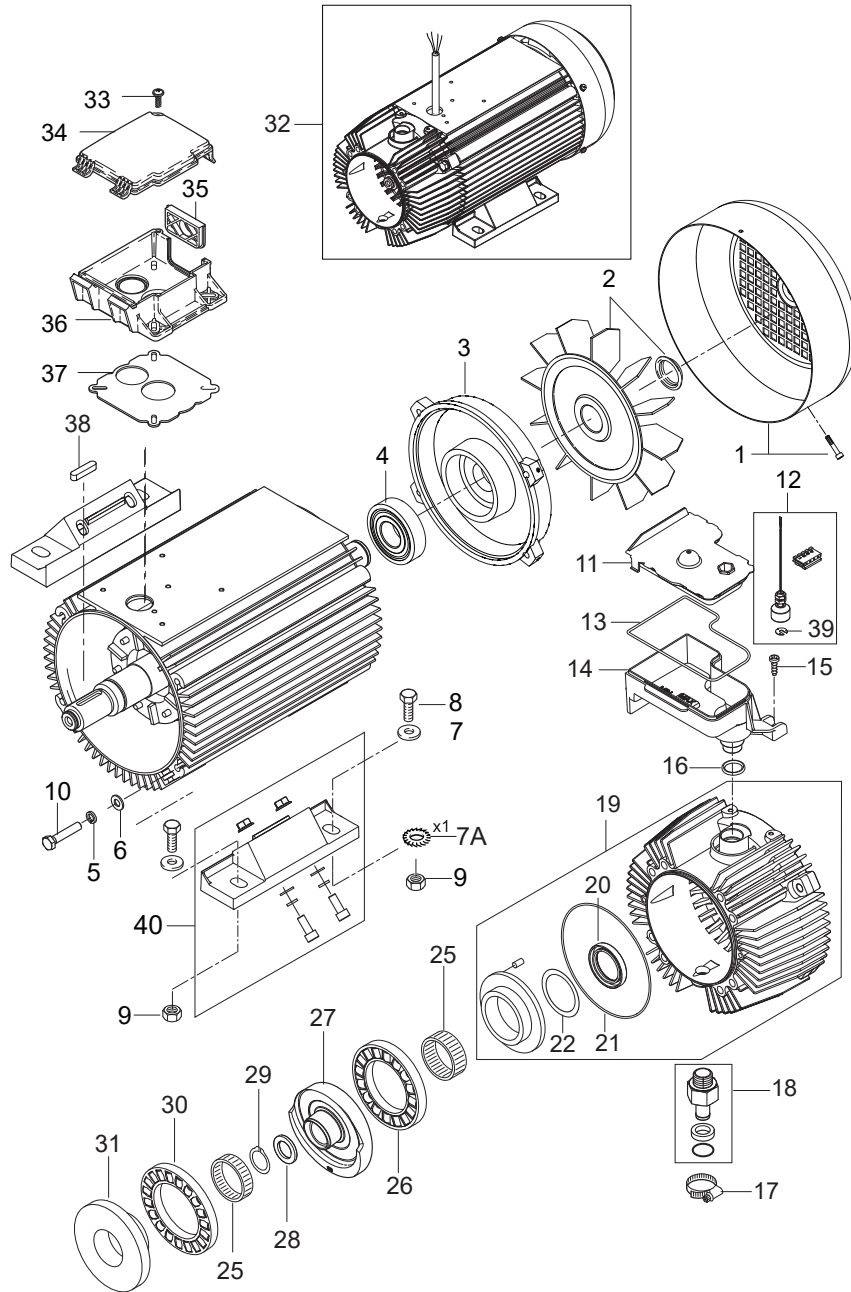
- [1] - TSB-PPW-2017-020 SC UNO_DUO Broken dampers between the pump and frame
 - [2] - TSB-PPW-2017-020 SC UNO_DUO Broken dampers between the pump and frame
- FR TSB-PPW-2017-020 SC UNO_DUO Casse des amortisseurs de la liaison moteur_chassis
- DE TSB-PPW-2017-020 SC UNO DUO Gebrochene Dämpfer zwischen Pumpe und Geh...



Pos.	Artikel-Nr.	Menge	Variante	Notes
1	107307319	1	E-BOX COVER UNO/DUO	
2	103821823	1	Leuchttaster Vorsatz grün	
3	103821824	1	Leuchttaster Vorsatz rot	
4	103821825	1	Tastschalter Schließer	
5	103821826	1	Tastschalter Öffner	
6	103821838	1	Nockenschalter 0-1-2-12	
7	107307325	1	END PLATE PAP 2.5/4/4AN	
8	107307321	3	END PLATE PAP - PTR 2.5/4	
9	107307324	2	TERMINAL BLOCK PDU 2.5/4/4AN	
10	103822306	2	Schütz CJX2-D18-B7 24V	[1]
10	103822313	2	Schütz 100-C23KJ10	[2]
10	103822317	1	Schütz CJX2-D32-B7 24V	[3]
12	107307322	2	FUSE PLUG - SIHA 3/G20 - PTR 2.5/4	
11	107307323	2	FUSE D5X20 0.63A T 250V	
13	107318227	2	TEST TERMINAL PUSH-IN P-SER. PTR 2.5/4	
14	107318193	2	END BRACKET FOR DIN-RAIL	
15	103822327	2	Thermorelais 12-18A	[4]
15	103822328	2	Thermorelais 17-25A	[4]
15	103822329	2	Thermorelais 23-32A	[4]
17	3803798	1	Tülle	
18	3803780	3	Tülle	
19	107307326	1	ERDUNGSANSCHLUSS 6 PIN	
20	107318235	1	RUBBER PLUG 25 BLACK	
21	107307320	8	DOPPEL SICHERUNG 7MM/3.5M	
22	101118236	1	PCBA NEO PLATFORM 13 SC KIT	[5]
22A	31001190	1	FUSE 6.3A 5X20 MM 250V	
22B	15846	3	Sicherung 5x20 2,5A T	
22C	107146536	1	JUMPER JST VHR 2 POLE 1-2	
22D	107146537	1	JUMPER JST EHR 4 POLE 2-4	
22E	107146538	1	JUMPER JST EHR 2 POLE 1-2	
22F	107146539	1	JUMPER JST EHR 4 POLE 1-2 AND 3-4	
23	107141690	6	Linsenschraube DIN7985-M5x12-8.8	
24	107307331	1	TRAFO 40VA PR 230-400-440.SEC1+2 24VAC	
25	107307330	1	DAFACELL 4X8MM ADHESIVE	
26	107307329	1	PCBA HOUR COUNTER DISPLAY	
27	101118167	1	VARIOUS WIRES KIT FOR E-BOX UNO 400/3/50	
27	101118168	1	VARIOUS WIRES KIT FOR E-BOX UNO L 400/3/	
27	101118169	1	VARIOUS WIRES KIT FOR E-BOX UNO 440/3/60	
27	101118170	1	VARIOUS WIRES KIT FOR E-BOX DUO 400/3/50	
27	101118171	1	VARIOUS WIRES KIT FOR E-BOX DUO 440/3/60	
28		1	Power cord H07RN-F 4G2.5	
28		1	Power cord H07RN-F 4G6	
28		1	Power cord H07RN-F 4G10	
29	101118172	1	MOTORCABLES KIT SC UNO/DUO NA5/NA6/C3	
29	101118179	1	MOTORCABLES KIT FOR SC UNO/DUO NA6+	[6]
30	31001016	1	REMOTE/JUNCTION BOX CABLE 25 M	

Part Notes:

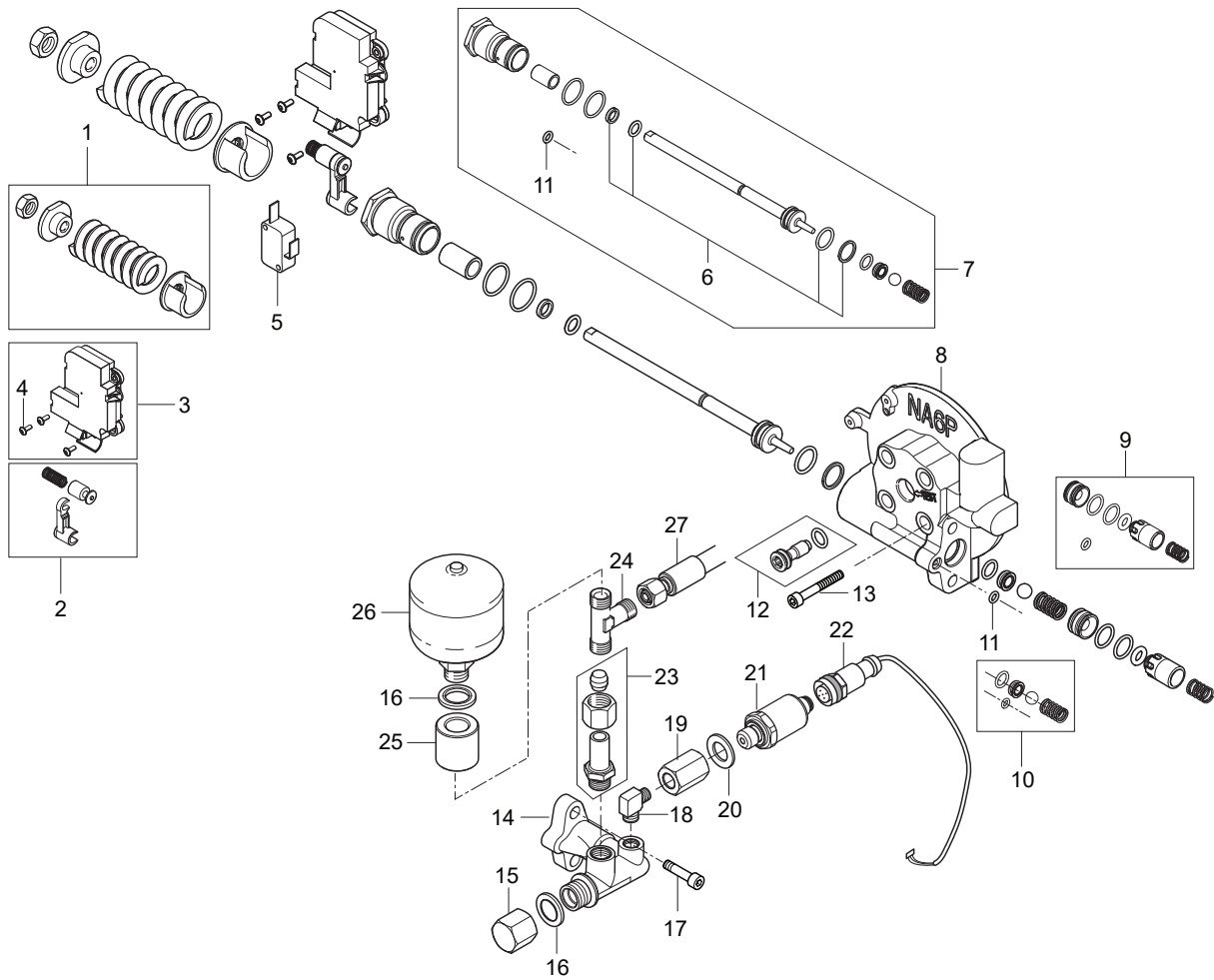
- [1] - Uno 5M-200/1050, Uno 6P-170/1610, Uno 7P-180/1200, Duo 6P-170/3220, Duo 7P-180/2400
- [2] - Uno 8P-200/1900, Uno 8P-160/2500, Duo 8P-200/3800, Duo 8P-160/5000
- [3] - Option 230/3/50 conversion kit
- [4] - TSB-PPW-2015-009 SC UNO_DUO Thermal Relay Setting
DE TSB-PPW-2015-009 SC UNO DUO Einstellung thermischer Motorschutzschalt...
- [5] - TSB-PPW-2015-010 SC DUO 7P Installation Instruction for NEW Circuit Board
DE TSB-PPW-2015-010 SC DUO 7P Installationsanleitung für die neue NEO St...
TSB-PPW-2016-001 Remote Control failure on SC UNO_DUO
- TSB-PPW-2017-007 SC UNO_SC DUO new circuit board 101118236
DE TSB-PPW-2017-007 SC UNO SC DUO neue Platine 101118236
- [6] - SC 8P



Pos.	Artikel-Nr.	Menge	Variante	Notes
	31001229	1	OIL ISO 150 ALPHASYN-T 20L	
0	5218433	1	Pumpenöl 150 1x1l	
1	107144126	1	Lüfterhaube	
2	107144125	1	Lüfterrad	
3	31000148	1	Lagerdeckel	
4	31000149	1	Lager RF	
5	2798	8	Federring 8	
6	2762	8	Scheibe 8,4x1,6 ISO 7089 zn	
7	107307315	4	PLAIN WASHER 10.5X22X1.25	
7A	107140931	1	TOOTHED WASHER M10 SS	[1]
7A	10204	1	Fächerscheibe 10,5 -A- DIN 6798 FSt/zn	
8	8927	4	Zylinderschraube,	
9	1800465	4	Mutter M10	
9	1802966	4	Mutter M10	[1]
10	6863	8	Zylinderschraube M8x 35 ISO4762 8.8 zn	
11	107140877	1	Deckel	
12	101118173	1	OIL SENSOR W/PLUG KIT	[2]
13	101406054	1	Dichtung	
14	107140879	1	Öltank	
15	107140881	1	SCREW M5X12 DIN 7985 TORX	
16	107140882	1	O-Ring 15,0 x 3,0	
17	1805100	1	Schlauchschelle 8-22x 8	
18	101118175	1	DRAIN PLUG W/MAGNET KIT NA6	
19	101118067	1	Lagerdeckel	
20	3001146	1	Wellendichtring	
21	106408215	1	O-RING 126.71 X 1.78 NBR 72	
22	6100995	1	Scheibe 53x40,5x1,25	
25	3200656	2	Nadellager K40x45x17	
26	3200615	1	Axialrollenlager	
27	106408213	1	Taumelscheibe 7.05DEG	
28	106408204	1	Scheibe D32 x D20.1 x 3 Stahl	
29	1802057	1	Seegerring U 20 x1,2	
30	106408206	1	CYL. ROLLER BEARING K81 212-TV AX. D11	
31	106408207	1	BEARING TRACK THRUST	
32	106408202	1	MOTOR 7.5KW. 3X230/400-220/440	
33	10028	1	Ejotschraube KA50x14 WN1411 verz	
34	301000782	1	Deckel	
35	17106	1	Abschlussdeckel	
36	301000781	1	Rahmen	
37	301000845	1	Dichtung	
38	107140880	1	KEY 6X6X32 A DIN 6885	
39	107142593	1	HOLDING WASHER PE	[3]
40	106408249	2	FEET FOR MOTOR	[4]

Part Notes:

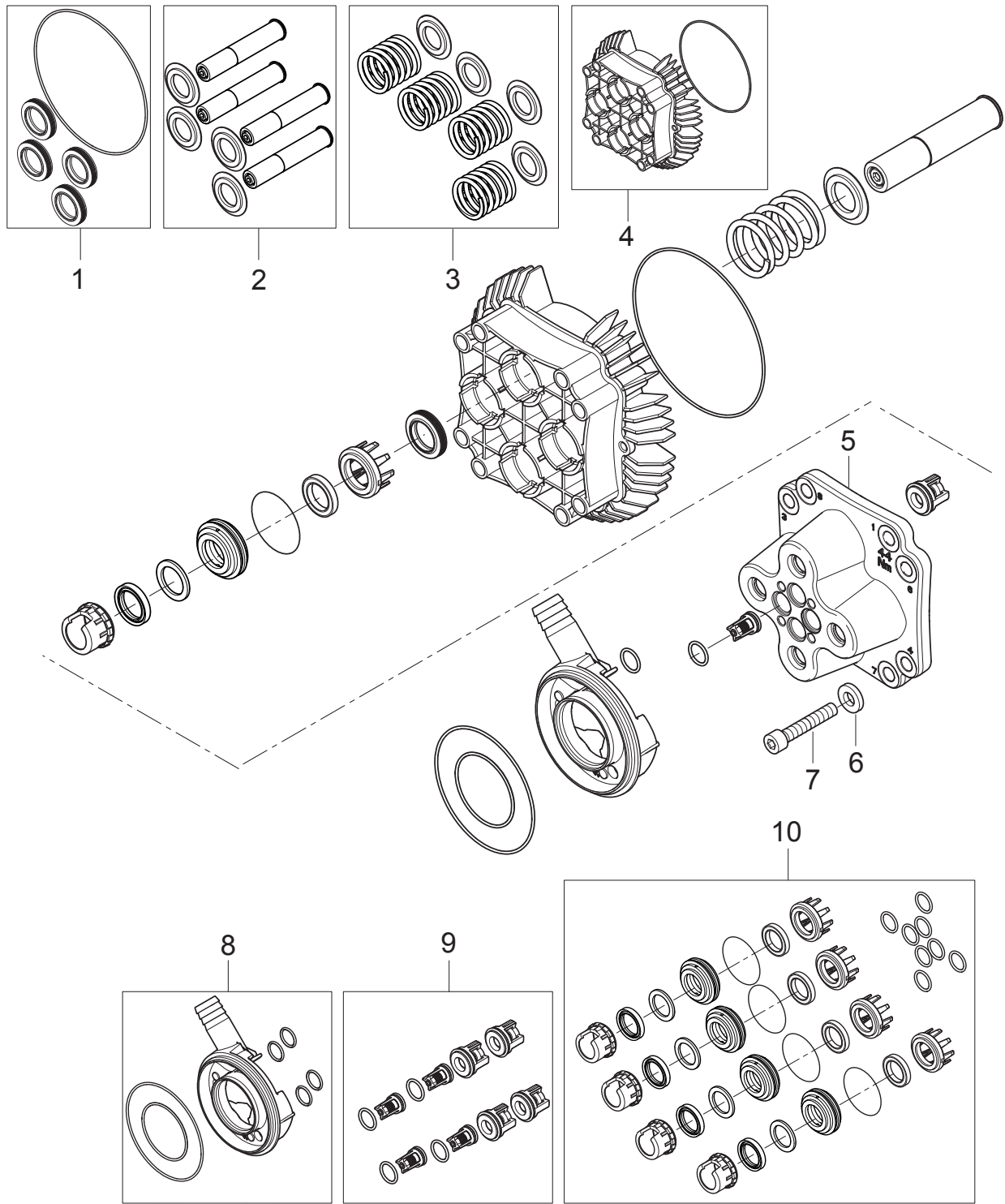
- [1] - Stainless steel
- [2] - MI 107309166 JST Connector
- [3] - TSB-PPW-2016-017 Locking ring for oil level switch falling off
- [4] - TSB-PPW-2016-020 SC UNO-DUO 6P Motor bracket bolts can loosen



Pos.	Artikel-Nr.	Menge	Variante	Notes
1	101118091	1	Feder	[1]
2	101118090	1	MICROSW. ACTIVATION REP. KIT NA5 PA	
3	101118084	1	Schaltergehäuse	
4	107141515	3	SCREW M3X8 ISO7380 FZG TORX 10	
5	301002754	1	Mikroschalter	
6	101118083	1	Reparatursatz Steuerkolben	
7	101118294	1	STEM + SEALING REP. KIT NA5/5.2/6/6+ PA	[2]
8	106408246	1	UNLOADER BODY NA6P WO. WATER REG.	
9	101118254	1	HOLDING PRESS.V.REP. KIT NA5.2PA - UK AU	[2]
10	101118295	1	BYPASS VALVE REP. KIT NA5.2 PA	[2]
11	107141514	1	O-RING D4 X D1.5 NBR 90	
12	107144137	1	Stopfen	
13	5100	3	Zylinderschraube M6x45	
14	107307387	1	OUTLET FITTING	
15	107307343	1	CAP NUT 3/8INCH	
16	1801075	3	Dichtring	
17	8894	1	Schraube M8 x 20 8.8	
18	101609393	1	V-Anschluss 6 1/8	
19	107307342	1	FITTING 1/4INCH M12X1.5	
20	1810241	1	Dichtungsscheibe	
21	107307344	1	PRESSURE TRANSMITTER	[3]
22	107307348	1	M12X1 CONNECTOR W/CABLE	
23	1603077	1	Verschr. XGE 12L R1/4-M18	
24	107307341	1	STUD BARREL TEES ADJUSTABLE D12	
25	107307340	1	NIPPLE FOR ACCUMULATOR	
26	63090	1	Hydrospeicher	
27	101405731	1	HD-Schlauch 10x500 150GradC	[4]
27	107307296	1	HP HOSE DN10 DKL 45DGR-DKL 90DGR M18X1.5	[5]

Part Notes:

- [1] - TSB-PPW-2018-006 SC UNO_DUO Retaining pressure too low
FR TSB-PPW-2018-006 SC DUO 6P Pression de coupure trop basse
DE TSB-PPW-2018-006 SC UNO DUO Federdruck zu gering
- [2] - TSB-PPW-2017-005 Low pressure—Unloader valve for NA5.2 pump can leak internally
DE TSB-PPW-2017-005 Niederdruck-Unloader Ventil für die NA5.2 Pumpe kann...
- [3] - TSB-PPW-2017-013 SC DUO 7P Pressure Transmitter change
FR TSB-PPW-2017-013 SC DUO 7P Nouveau capteur de pression
- [4] - Only DUO 6P
- [5] - Only DUO 8P



Pos.	Artikel-Nr.	Menge	Variante	Notes
1	101118057	1	SEAL KIT FOR CYLINDER BLOCK NA6	
2	101118066	1	Kolbensatz NA6 Pumpe	[1]
2	101118065	1	Kolbensatz mit Markierung NA6 6-79 6-61F	
3	101118059	1	Rückhohlfedern Satz NA& Pumpe	
4	101118060	1	Zylinderblock NA6 Pumpe	
5	106408197	1	Pumpenkopf D24 NA6	
6	2767	8	Scheibe 10,5x2,0 ISO 7090 zn	
7	1813393	8	Schraube M10 x100 8.8	
8	101118063	1	Ansaugrohr Satz NA6	
9	101118062	1	Kit Ein-/Auslassventil - NA6	
10	101118276	1	WASSER DICHTUNGSSET - NA6	[2]
10	101118277	1	Dichtungssatz Heisswasser NA6	

Part Notes:

[1] - 170-1610, 170-3220

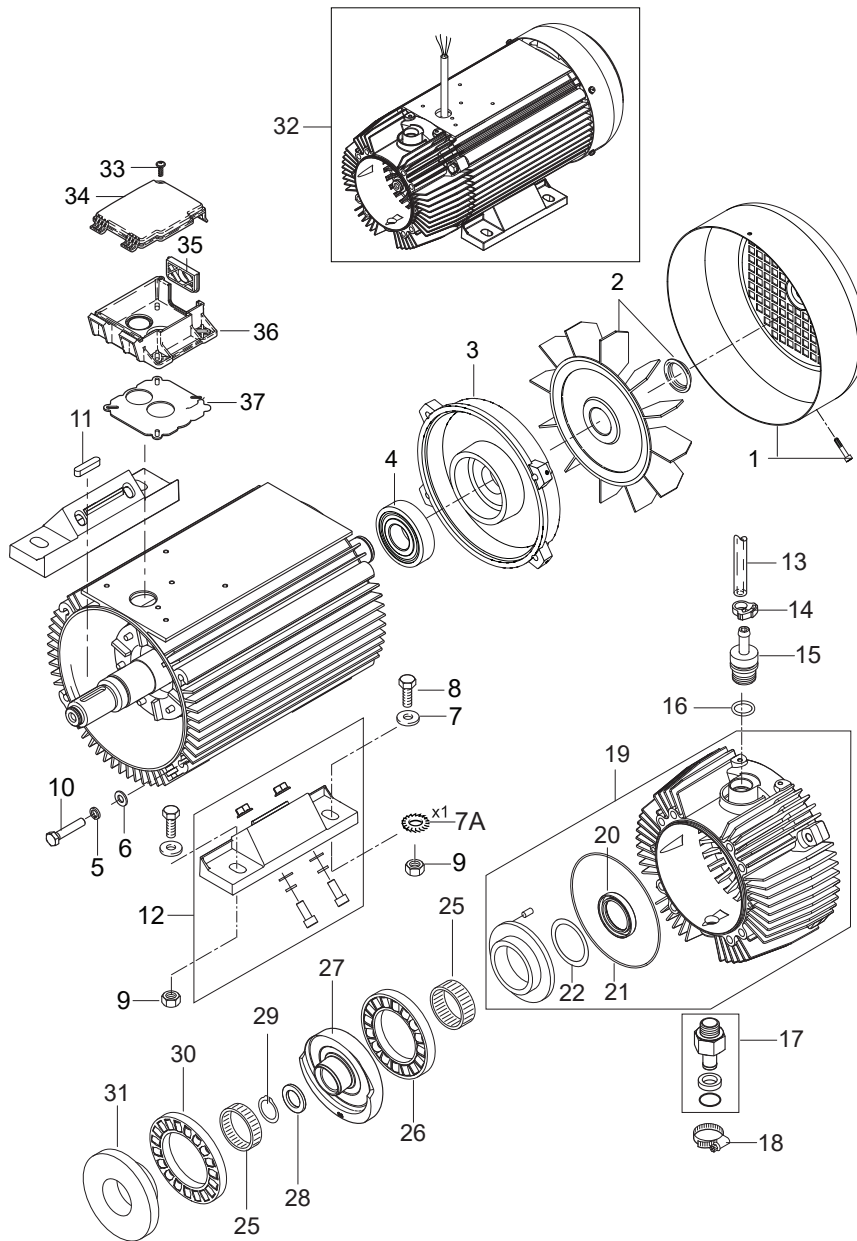
[2] - Implementation date: July 2017

Serial Number: 3520172701255

TSB-PPW-2017-017 NA6_NA6plus Water Seal Kit changes

DE TSB-PPW-2017-017 NA6 und NA6 Wasserdichtungsset Überarbeitung

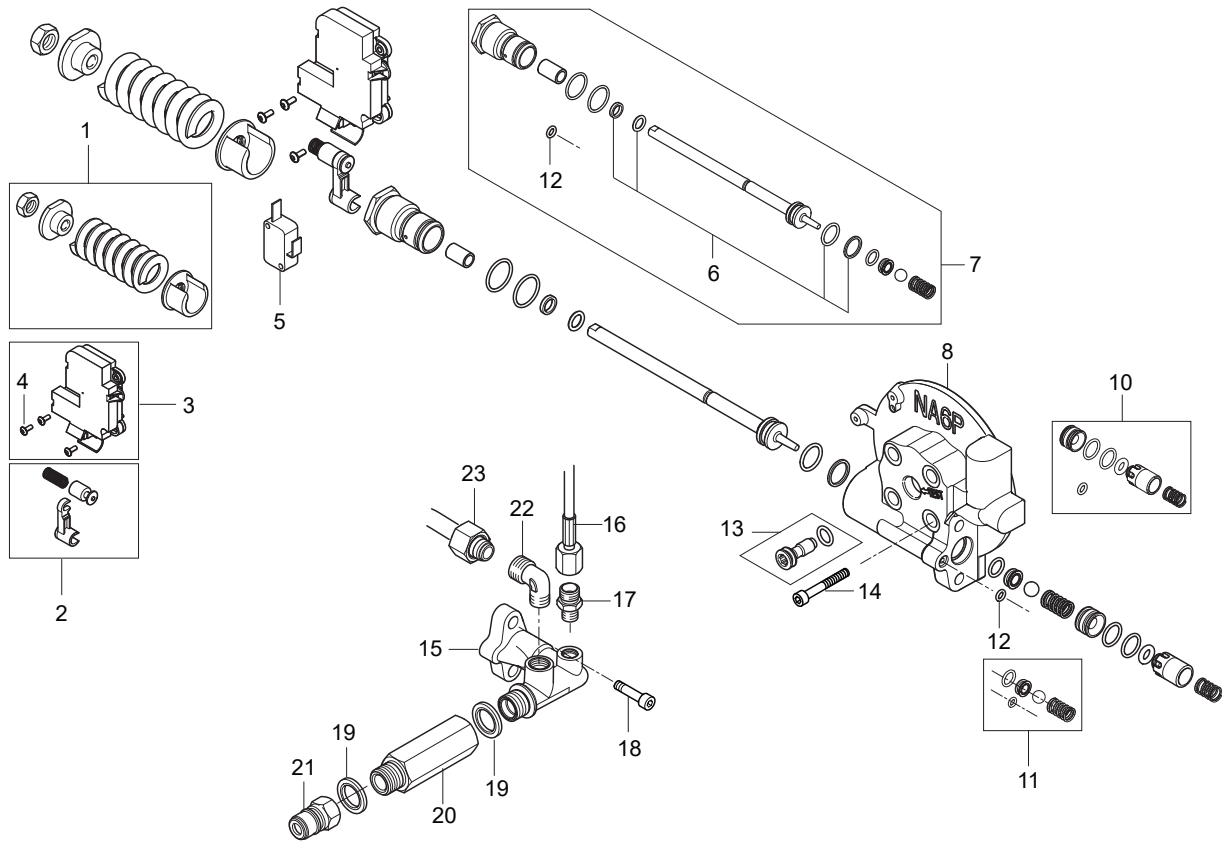
FR TSB-PPW-2017-017 Changement des kit joints d'eau pompe NA6



Pos.	Artikel-Nr.	Menge	Variante	Notes
	31001229	1	OIL ISO 150 ALPHASYN-T 20L	
0	5218433	1	Pumpenöl 150 1x1l	
1	107144126	1	Lüfterhaube	
2	107144125	1	Lüfterrad	
3	31000148	1	Lagerdeckel	
4	31000149	1	Lager RF	
5	2798	6	Federring 8	
6	2762	8	Scheibe 8,4x1,6 ISO 7089 zn	
7	107307315	7	PLAIN WASHER 10.5X22X1.25	
7A	107140931	1	TOOTHED WASHER M10 SS	[1]
7A	10204	1	Fächerscheibe 10,5 -A- DIN 6798 FSt/zn	
8	8927	4	Zylinderschraube,	
9	1800465	4	Mutter M10	
9	1802966	4	Mutter M10	[1]
10	6863	8	Zylinderschraube M8x 35 ISO4762 8.8 zn	
11	107140880	1	KEY 6X6X32 A DIN 6885	
12	106408249	2	FEET FOR MOTOR	[2]
13	106408241	1	Schlauch transp.2 Meter	
14	107307356	1	HOSE CLIP D10/D12	
15	107307507	1	FITTING FOR OIL	
16	107140882	1	O-Ring 15,0 x 3,0	
17	101118175	1	DRAIN PLUG W/MAGNET KIT NA6	
18	1805100	1	Schlauchschelle 8-22x 8	
19	101118067	1	Lagerdeckel	
20	3001146	1	Wellendichtring	
21	106408215	1	O-RING 126.71 X 1.78 NBR 72	
22	6100995	1	Scheibe 53x40,5x1,25	
25	3200656	2	Nadellager K40x45x17	
26	3200615	1	Axialrollenlager	
27	106408213	1	Taumelscheibe 7.05DEG	
28	106408204	1	Scheibe D32 x D20.1 x 3 Stahl	
29	1802057	1	Seegerring U 20 x1,2	
30	106408206	1	CYL. ROLLER BEARING K81 212-TV AX. D11	
31	106408207	1	BEARING TRACK THRUST	
32	106408202	1	MOTOR 7.5KW. 3X230/400-220/440	
33	10028	1	Ejotschraube KA50x14 WN1411 verz	
34	301000782	1	Deckel	
35	17106	1	Abschlussdeckel	
36	301000781	1	Rahmen	
37	301000845	1	Dichtung	

Part Notes:

- [1] - Stainless steel
- [2] - TSB-PPW-2016-020 SC UNO-DUO 6P Motor bracket bolts can loosen
DE TSB-PPW-2016-020 SC UNO-DUO 6P Motorhalterungsschrauben können sich l...



Pos.	Artikel-Nr.	Menge	Variante	Notes
1	101118091	1	Feder	[1]
2	101118090	1	MICROSW. ACTIVATION REP. KIT NA5 PA	
3	101118084	1	Schaltergehäuse	
4	107141515	3	SCREW M3X8 ISO7380 FZG TORX 10	
5	301002754	1	Mikroschalter	
6	101118083	1	Reparatursatz Steuerkolben	
7	101118294	1	STEM + SEALING REP. KIT NA5/5.2/6/6+ PA	
8	106408246	1	UNLOADER BODY NA6P WO. WATER REG.	
10	101118254	1	HOLDING PRESS.V.REP. KIT NA5.2PA - UK AU	
11	101118295	1	BYPASS VALVE REP. KIT NA5.2 PA	
12	107141514	1	O-RING D4 X D1.5 NBR 90	
13	107144137	1	Stopfen	
14	5100	4	Zylinderschraube M6x45	
15	107307387	1	OUTLET FITTING	
16	301002672	1	HD-Schlauch DN4X410	
17	1821	1	Verbindungsstück	
18	8894	1	Schraube M8 x 20 8.8	
19	1801075	3	Dichtring	
20	107307336	1	EXTENSION G 3/8INCH	
21	1603101	1	Nippel Schnellkupplung	
22	1603119	1	Winkel Dn12X1/4	
23	101405731	1	HD-Schlauch 10x500 150GradC	

Part Notes:

- [1] - TSB-PPW-2018-006 SC UNO_DUO Retaining pressure too low
FR TSB-PPW-2018-006 SC DUO 6P Pression de coupure trop basse
DE TSB-PPW-2018-006 SC UNO DUO Federdruck zu gering

